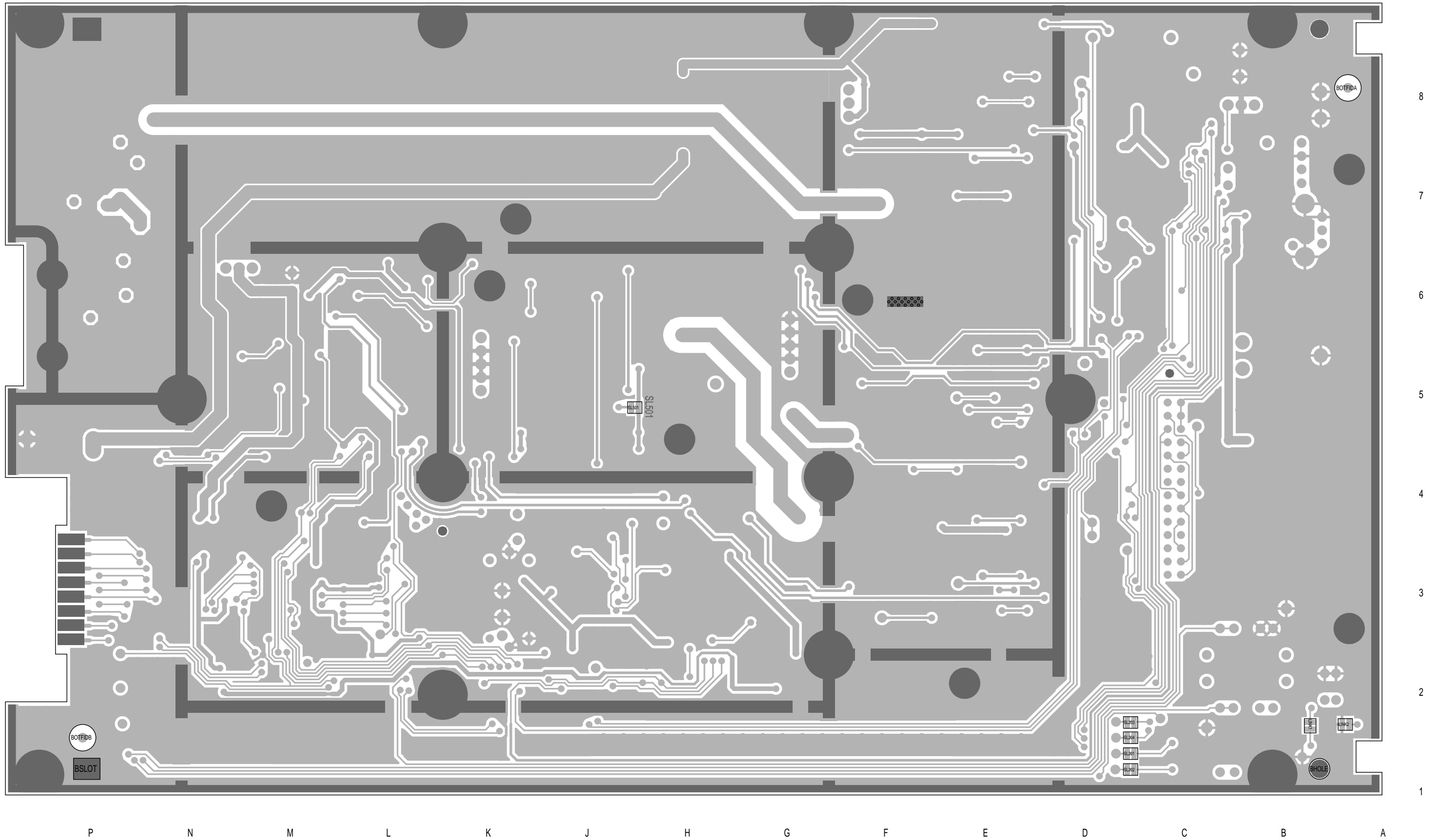
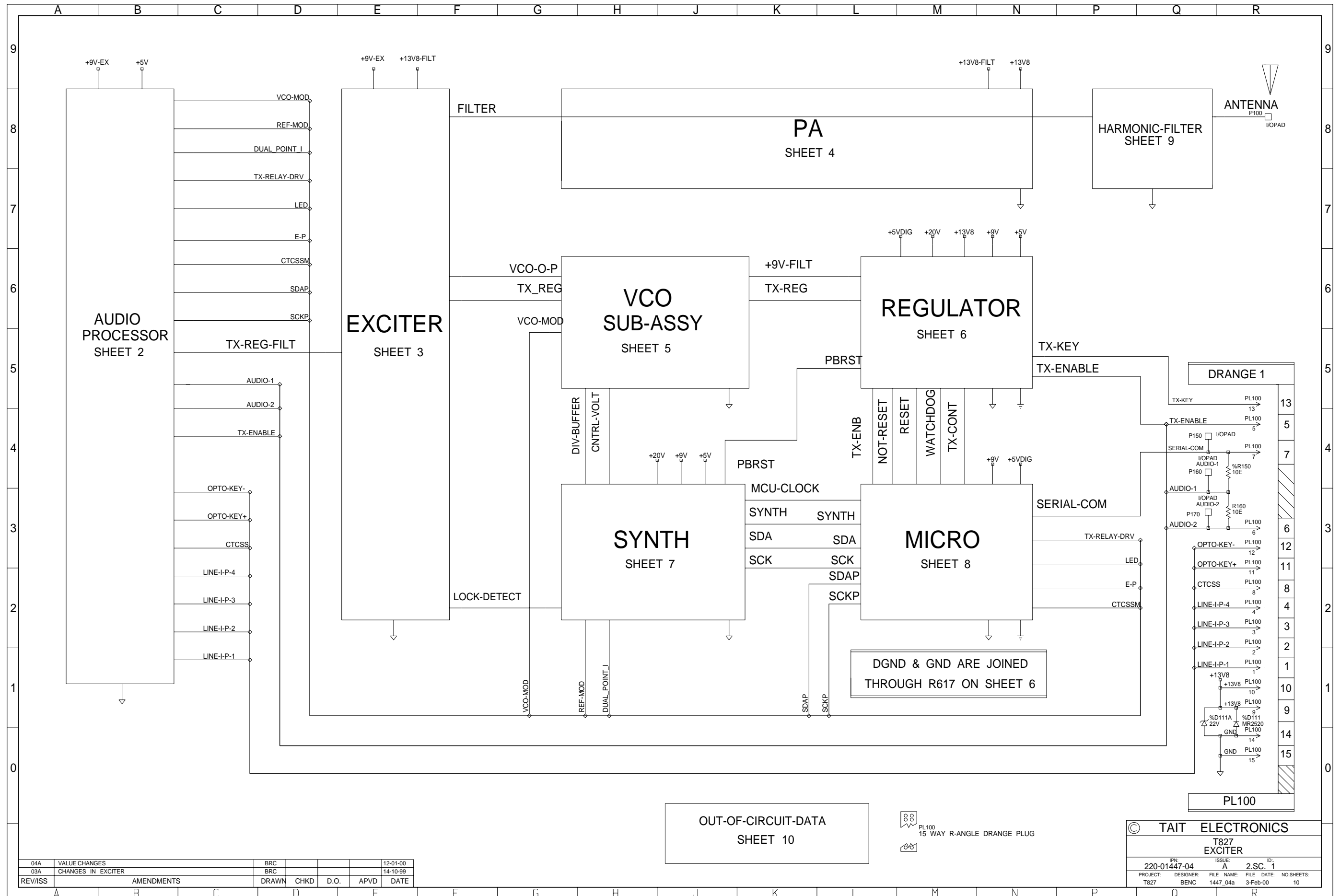


T827 PCB Layout - Top Side
220-01447-04



T827 PCB Layout - Bottom Side
220-01447-04

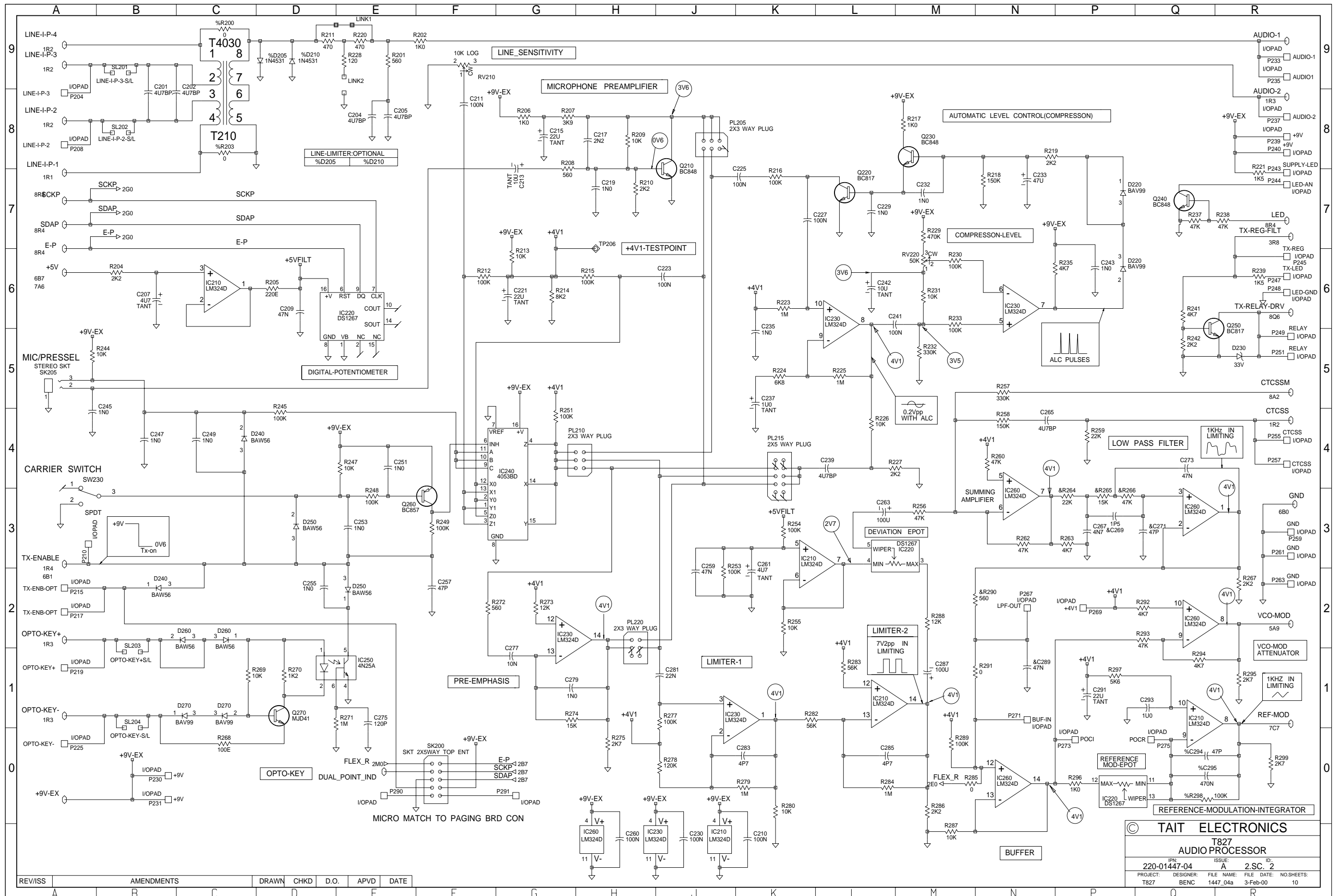


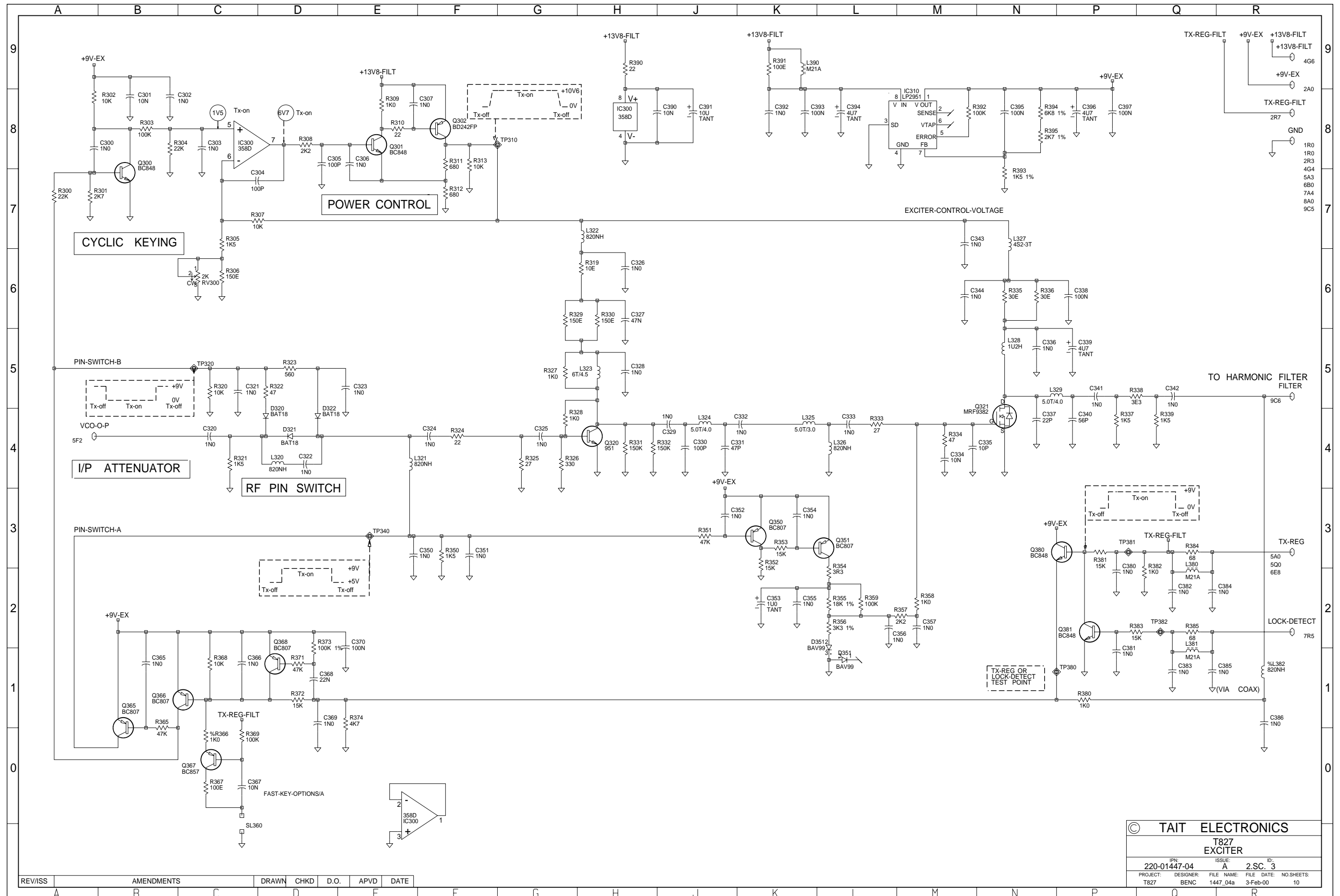
04A	VALUE CHANGES	BRC			12-01-00
03A	CHANGES IN EXCITER	BRC			14-10-99
REV/ISS	AMENDMENTS	DRAWN	CHKD	D.O.	APVD DATE

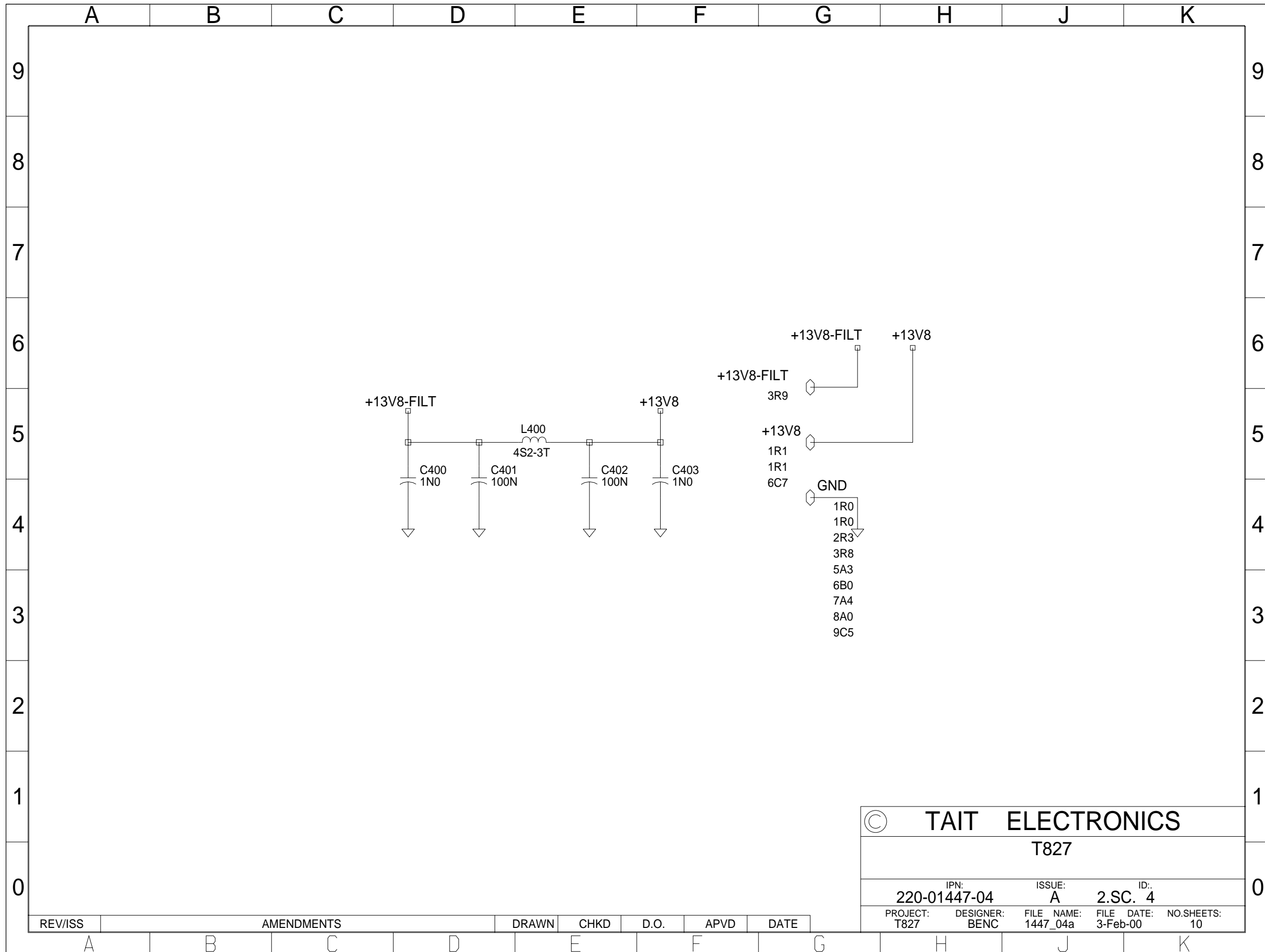
OUT-OF-CIRCUIT-DATA
 SHEET 10

PL100
 15 WAY R-ANGLE DRANGE PLUG

© TAIT ELECTRONICS	
T827 EXCITER	
IPN: 220-01447-04	ISSUE: A 2.S.C. 1
PROJECT: T827	DESIGNER: BENC
FILE NAME: 1447_04a	FILE DATE: 3-Feb-00
NO SHEETS: 10	

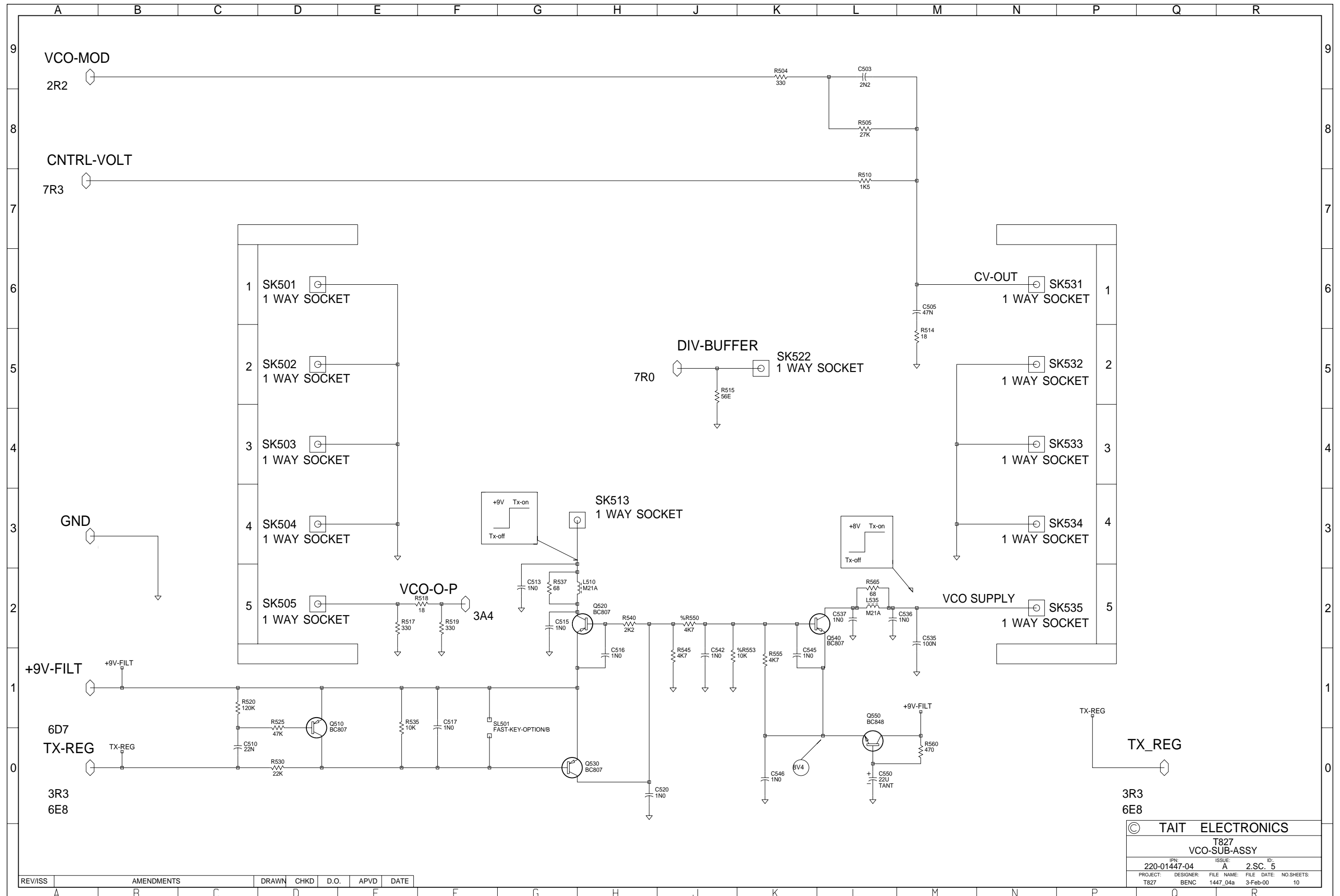




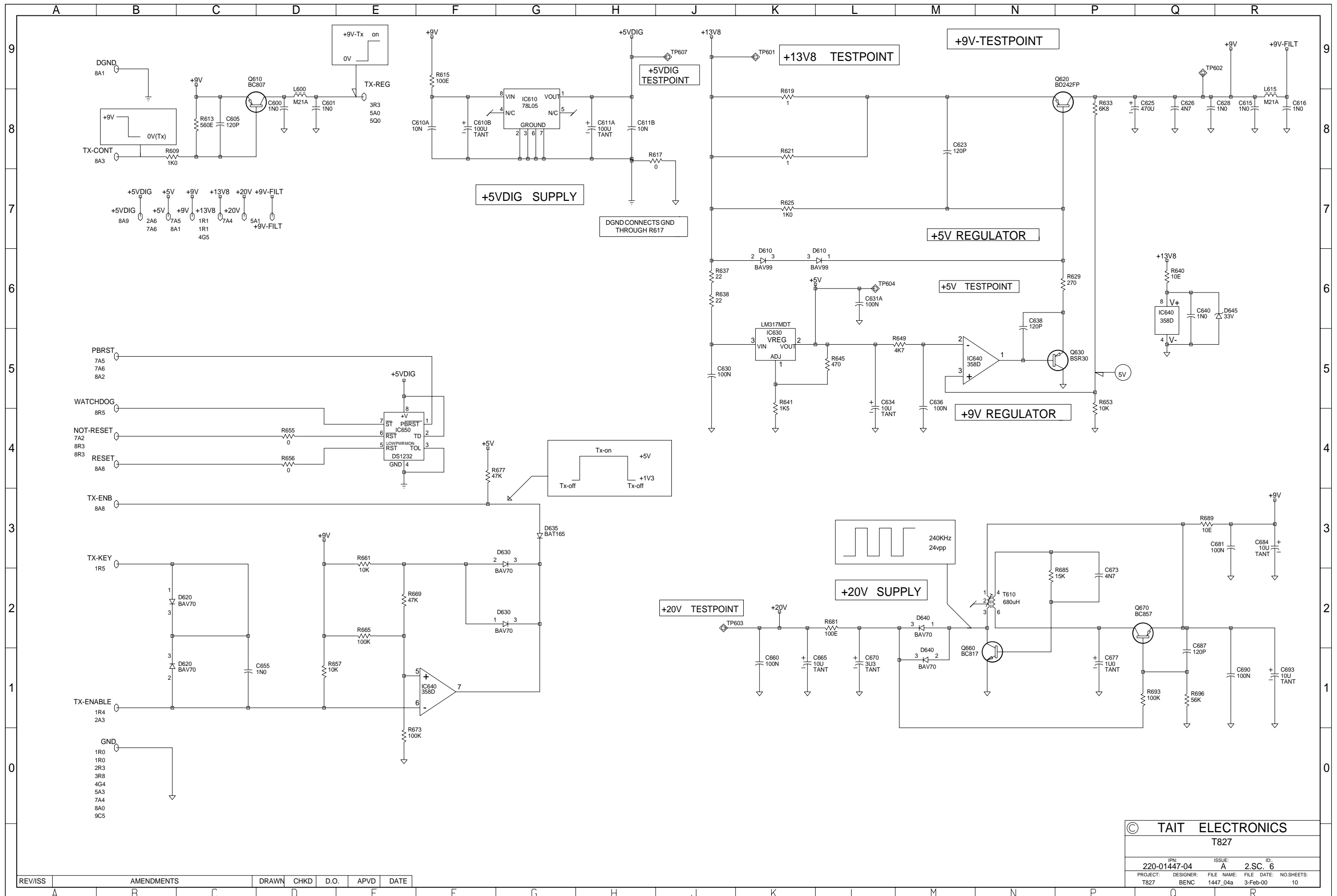


© TAIT ELECTRONICS				
T827				
IPN:	ISSUE:	ID:		
220-01447-04	A	2.SC. 4		
PROJECT:	DESIGNER:	FILE NAME:	FILE DATE:	NO.SHEETS:
T827	BENC	1447_04a	3-Feb-00	10

REV/ISS	AMENDMENTS	DRAWN	CHKD	D.O.	APVD	DATE
---------	------------	-------	------	------	------	------



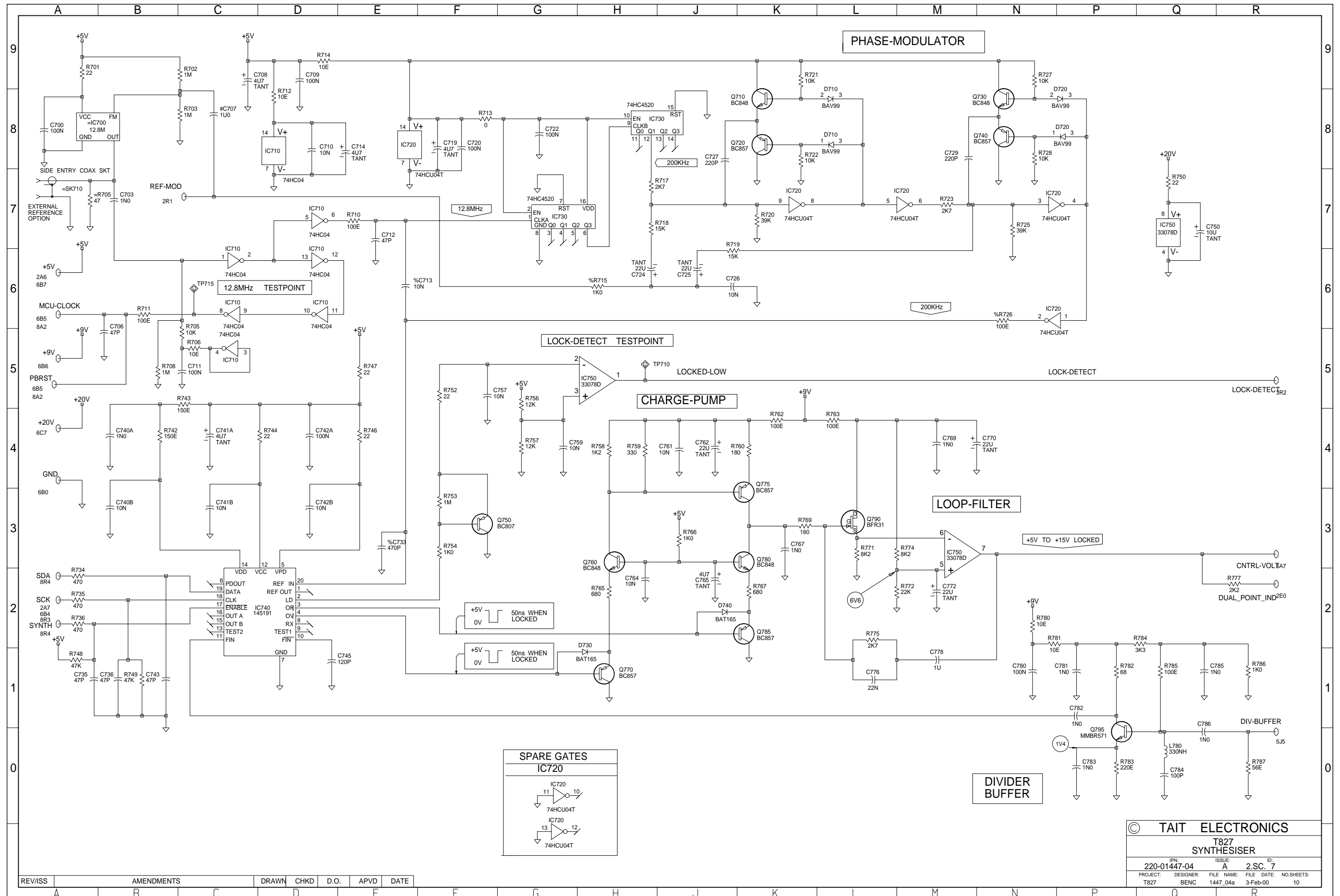
© TAIT ELECTRONICS	
T827 VCO-SUB-ASSY	
IPN: 220-01447-04	ISSUE: A
DESIGNER: T827	FILE DATE: 3-Feb-00
BENC	1447_04a
NO SHEETS: 10	2.S.C. 5

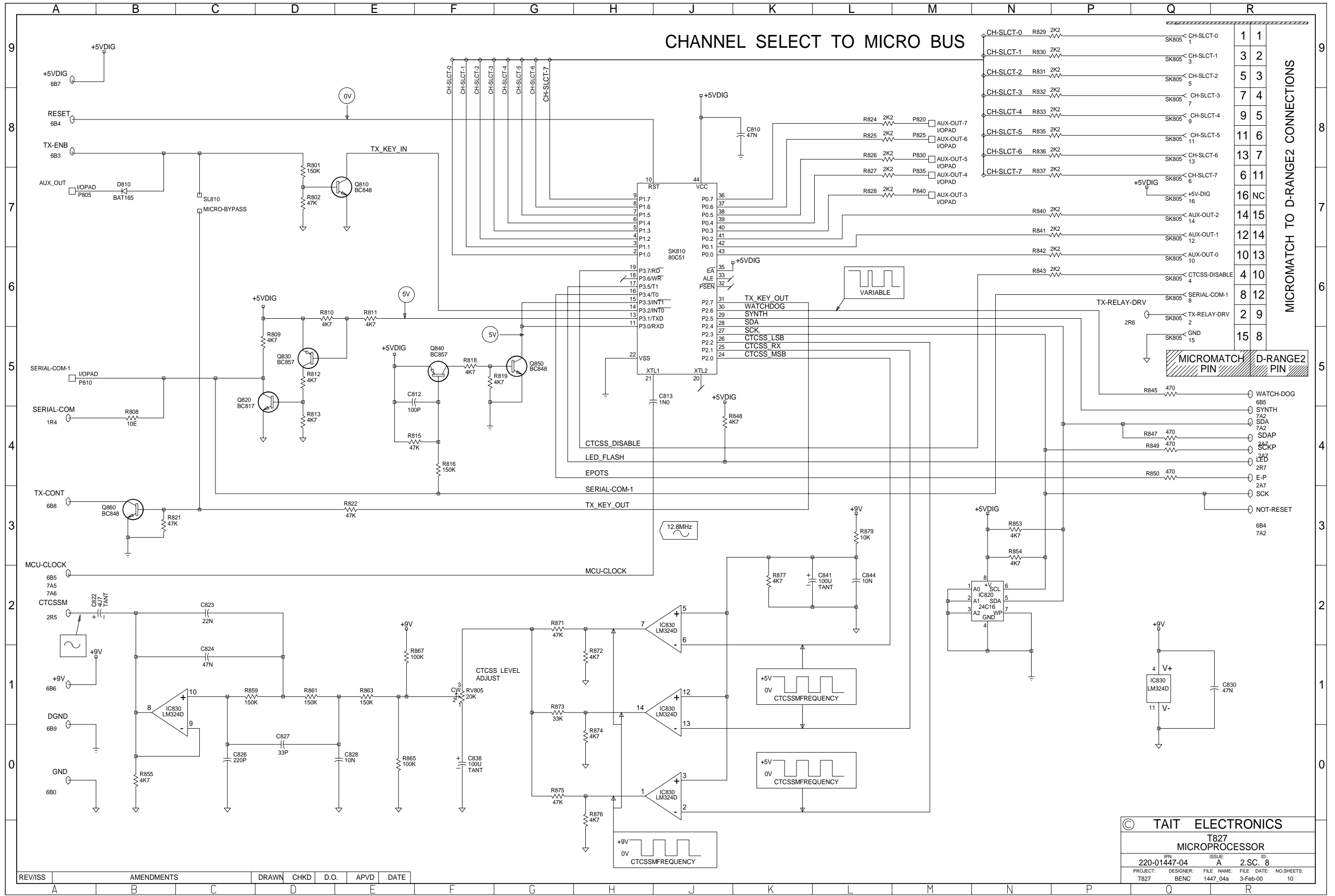


© TAIT ELECTRONICS
 T827

IPN:	220-01447-04	ISSUE:	A	ID:	2.S.C. 6
PROJECT:	T827	DESIGNER:	BENC	FILE NAME:	1447_04a
		FILE DATE:	3-Feb-00	NO.SHEETS:	10

REV/ISS	AMENDMENTS	DRAWN	CHKD	D.O.	APVD	DATE
A						





REV/ISS	AMENDMENTS	DRAWN	CHKD	D.O.	APVD	DATE
A						

© TAIT ELECTRONICS

T827
MICROPROCESSOR

IPN: 220-01447-04
ISSUE: A
ID: 2.SC. 8

PROJECT: T827
DESIGNER: BENC
FILE NAME: 1447_04a
FILE DATE: 3-Feb-00
NO. SHEETS: 10

